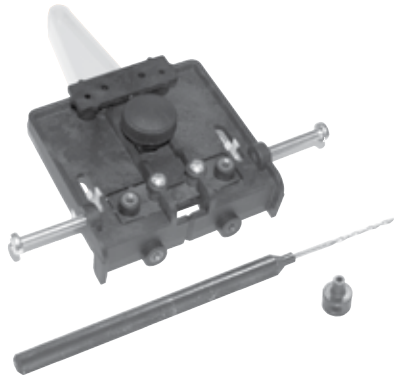


Hinge assembly

PlateMate



- Boring template for all Blum face frame adapter plates
- Clamps to the frame with cam lever. Adjustment knob accommodates frame thickness of 5/8" to 1"
- Spacer screws permit quick use without measuring

Includes:

- Ø2.5mm pilot bit and extension, Ø5mm stop collar
- Reversible bushing insert for 32mm hole spacing (for 175L6xxx)
- Reversible bushing insert for 40mm hole spacing (for 175H6xxx)

PlateMate

Part no.

65.5030.01

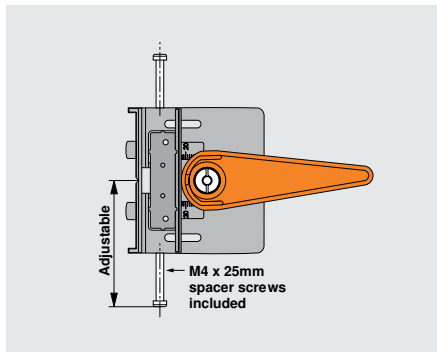
Accessories (order separately)

Ø2.5mm drill bit

Part no.

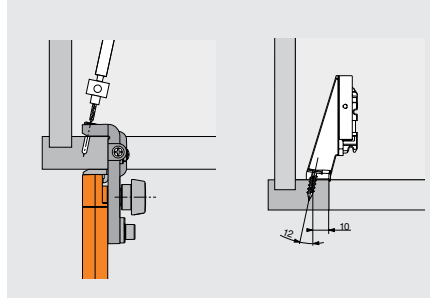
DB-2.5mm

Specifications



Using the PlateMate

Boring pilot holes for **inset** face frame adapter plate



Boring pilot holes for **overlay** face frame adapter plate

