

Drawer assembly



MINIFIX

- Used for positioning cabinet profiles on cabinet sides
- Holds cabinet profile in place while screws are installed or pilot holes are made
- Keeps cabinet profiles level
- Ideal for face frame cabinets when positioning rear mount sockets

Can be used with the following Blum runners:

- METABOX 320 N, M, K, H
- STANDARD 230M and 230E

MINIFIX

Part no.

65.3300

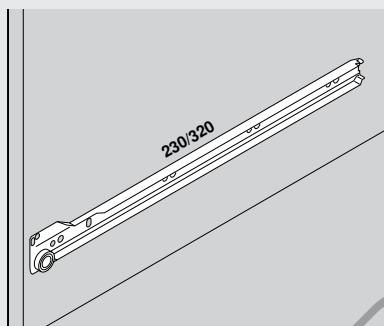
Accessories (order separately)
 Ø2.85mm piloting bit

Part no.

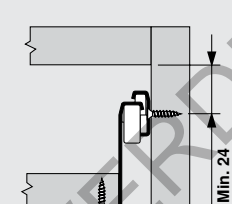
VPB-5

Using the MINIFIX

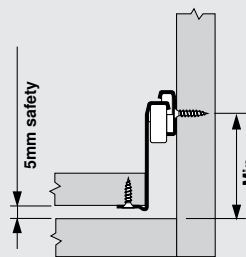
MINIFIX works with Blum 3/4 extension cabinet profiles.



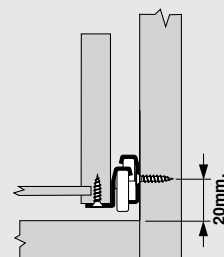
By placing MINIFIX against the top or bottom of the cabinet opening the minimum clearance is automatically set.



METABOX with minimum top clearance.



METABOX with minimum bottom clearance by using handle scale.



STANDARD 230M with minimum bottom clearance.

Using the handle scale with METABOX drawers

1. Mark on the cabinet front where the bottom of the drawer is to be mounted (includes 5mm safety clearance).
2. Choose the notch on the handle that matches the drawer type.
3. Place cabinet profile in the MINIFIX, hold against the mark and use a piloting bit to bore the mounting holes.
4. Attach the cabinet profiles with wood screws.

