

Drawer assembly

TANDEM template



- Essential tool for drawers using TANDEM runners
- To bore the Ø6mm holes for rear hooks
- To pilot bore Ø2.5mm hole for TANDEM standard locking devices at 12° angle

TANDEM template

Part no.

T65.1000.02

Accessories (order separately)

Ø2.5mm drill bit

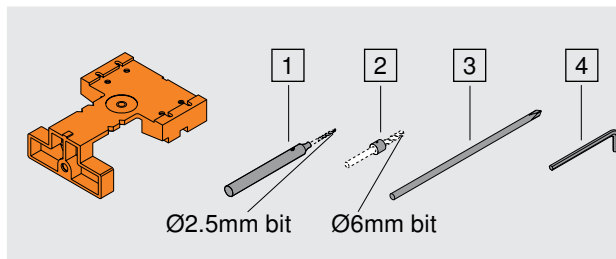
Part no.

DB-2.5mm

Ø6mm drill bit

DB-6mm

Specifications



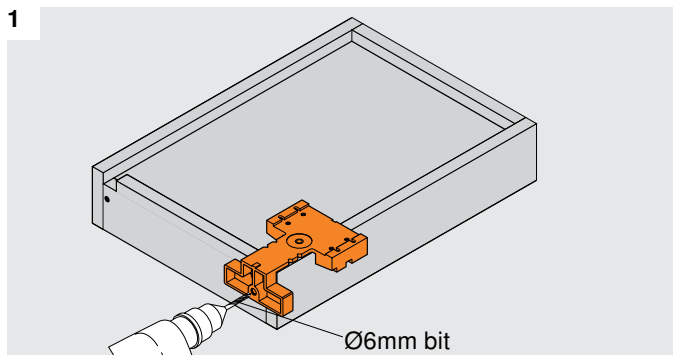
Tool set

- | | |
|---|----------------------------|
| 1 | Ø2.5mm drill bit extension |
| 2 | Ø6mm stop collar |
| 3 | Screwdriver tip |
| 4 | Allen key |

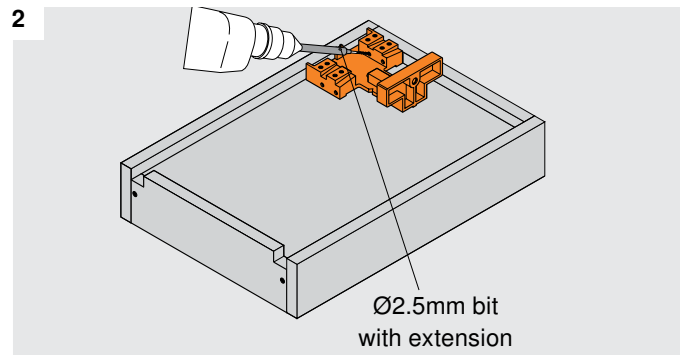
Part no.

T65.9000

Using the TANDEM template



Bore rear fixing holes.



Bore pilot holes for standard locking device screws.