

BLUMOTION 973A for Euro hinges

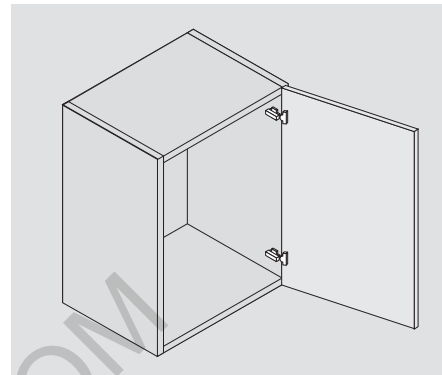
Product



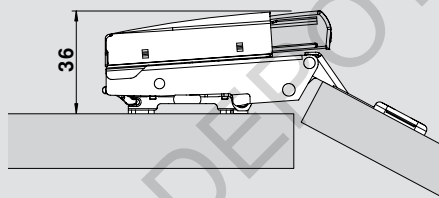
Description

- Quiet closing feature for CLIP top and CLIP hinges
- Offers the same quality of motion as drawer systems with BLUMOTION
- Automatically adjusts to the closing force of the door
- Simple attachment to the hinge arm
- Nickel plated steel and nylon gray components
- Designed for use with Blum Euro hinges only

Application



For hinges with a straight-arm



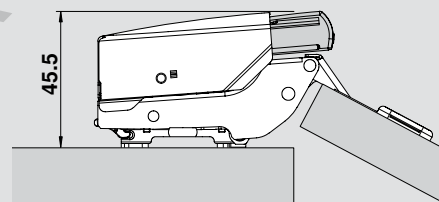
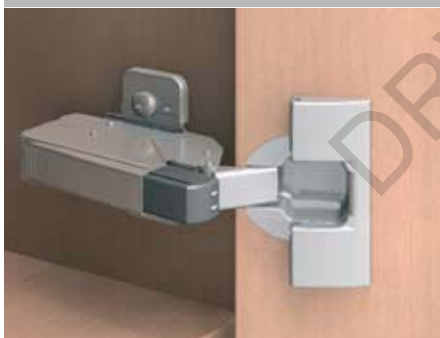
- CLIP top 107°
- CLIP top 120°
- CLIP top 120°₊
- CLIP top 95° thick door
- CLIP top 110° special application
- CLIP top 120° aluminum door
- CLIP 100°
- CLIP 107°

Part no.

Straight-arm

973A0500.01

For hinges with a half-cranked arm



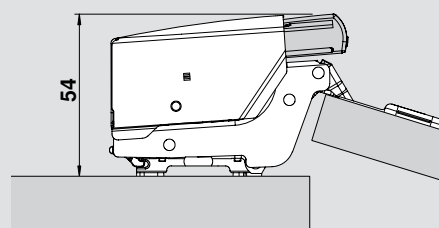
- CLIP top 107°
- CLIP top 120°
- CLIP top 95° thick door
- CLIP top 120° aluminum door
- CLIP 100°
- CLIP 107°

Part no.

Half-cranked arm

973A0600

For hinges with a full-cranked arm



- CLIP top 107°
- CLIP top 95° thick door
- CLIP 100°

Part no.

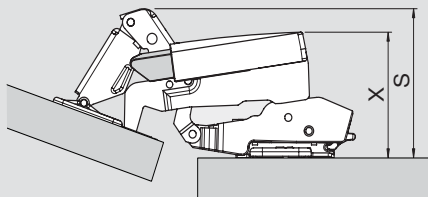
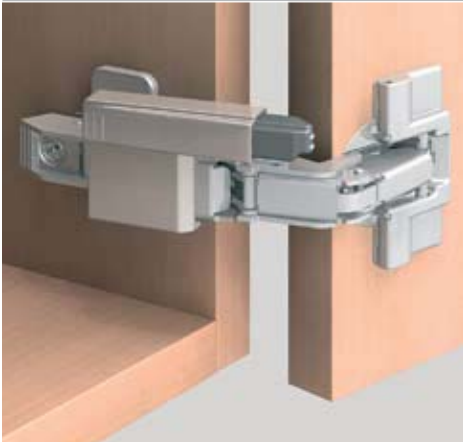
Full-cranked arm

973A0700



Specifications

For wide angled hinges with straight or half-cranked arms



- CLIP top 170° — straight-arm
- CLIP top 170° — half-cranked
- CLIP top 155° 0-protrusion hinge
- CLIP 170° — straight-arm
- CLIP 170° — half-cranked

| Hinge | X | S |
|----------------------------|----|---------|
| CLIP top/CLIP straight-arm | 49 | 65 max. |
| CLIP top/CLIP half-cranked | 68 | 75 max. |
| CLIP top 0-protrusion | 49 | 56 max. |

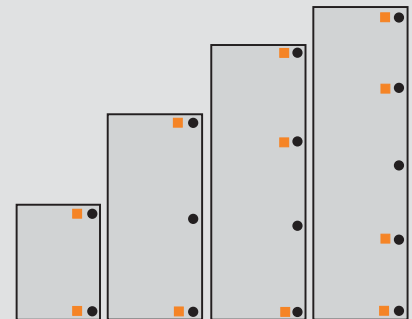
Part no.

NOTE: Additional clearance of 41 mm needed above and below for interior roll-out

973A6000

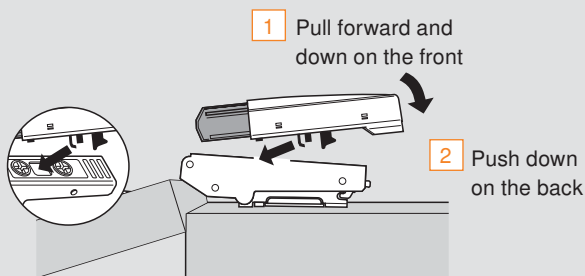
BLUMOTION per door

- BLUMOTION 973A is designed for one BLUMOTION per self-closing hinge, however, quantity may vary depending on door size and weight
- Small or light doors may only require one BLUMOTION
- Trial application recommended



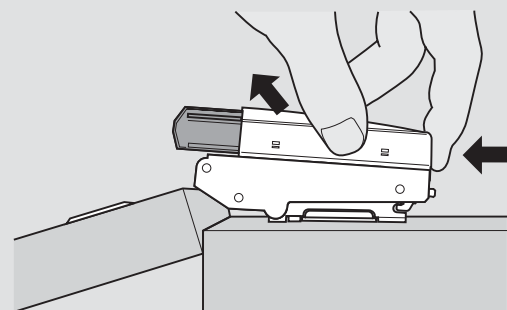
■ BLUMOTION 973A
● Hinges

Attachment



Attach to the square hole in the hinge arm

Removal



Pull forward and up simultaneously