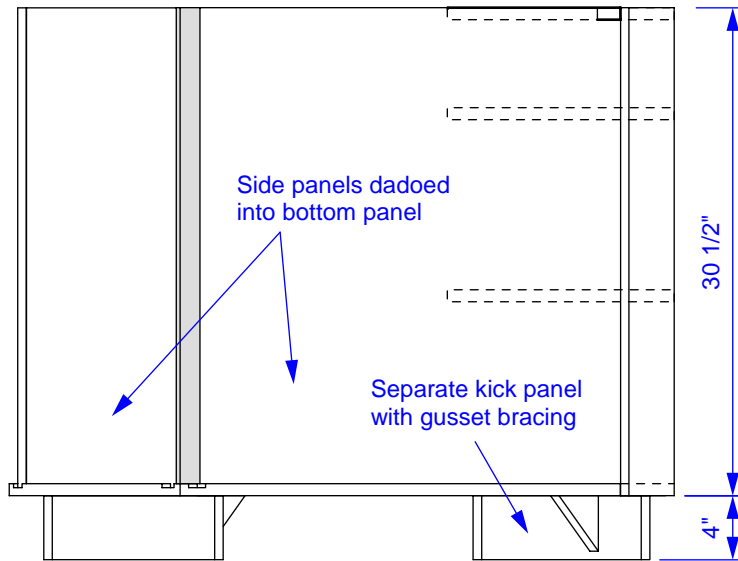
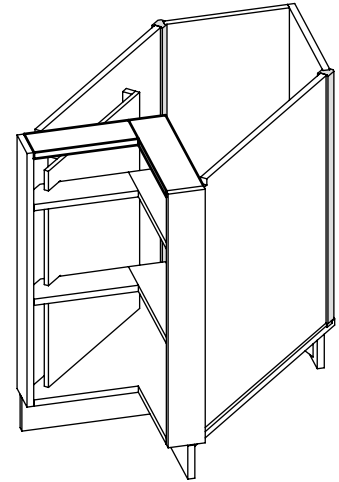
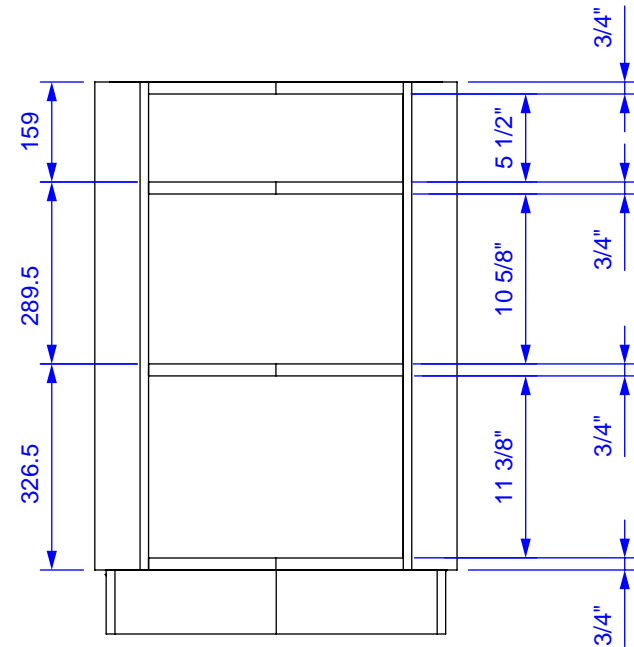


Plan view



Side Elevation

Process 32 rail spacing shown (mm)

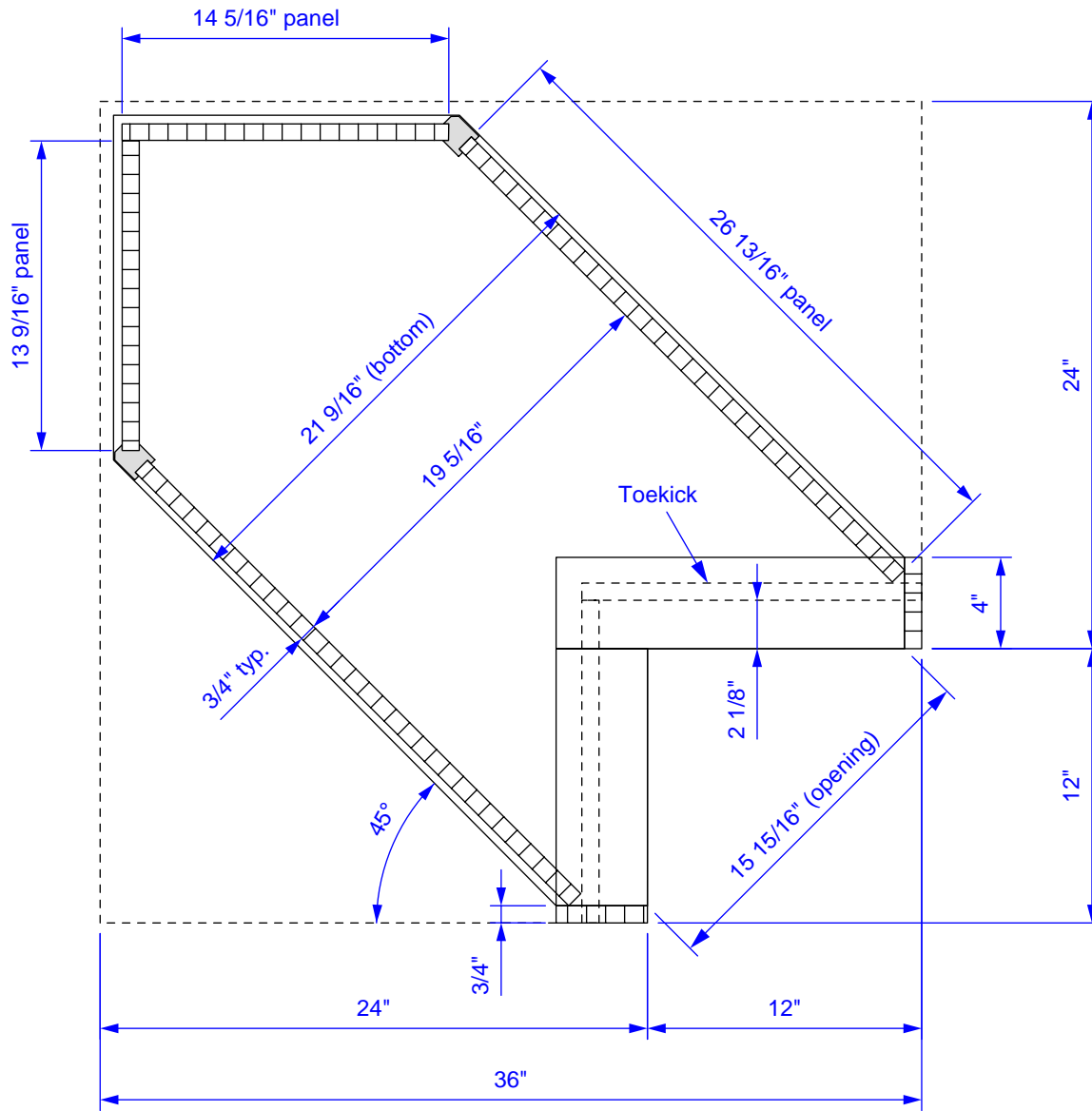


Front Elevation

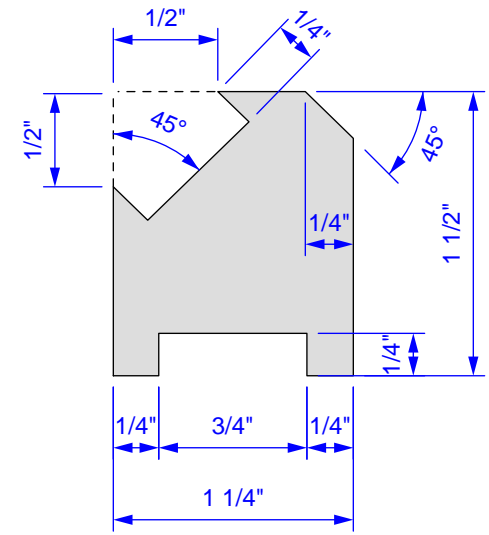
Product Group <b>TANDEM</b>		Project <b>36" panel SPACE CORNER</b>			Date	Index	Revision	
Description <b>Overall cabinet views</b>		Date <b>3/21/05</b>	Drawn By	Scale <b>1:12</b>	Drawing Set		Page No. <b>1</b>	Index <b>00</b>



Julius Blum, Inc  
Stanley, NC 28164



Plan View

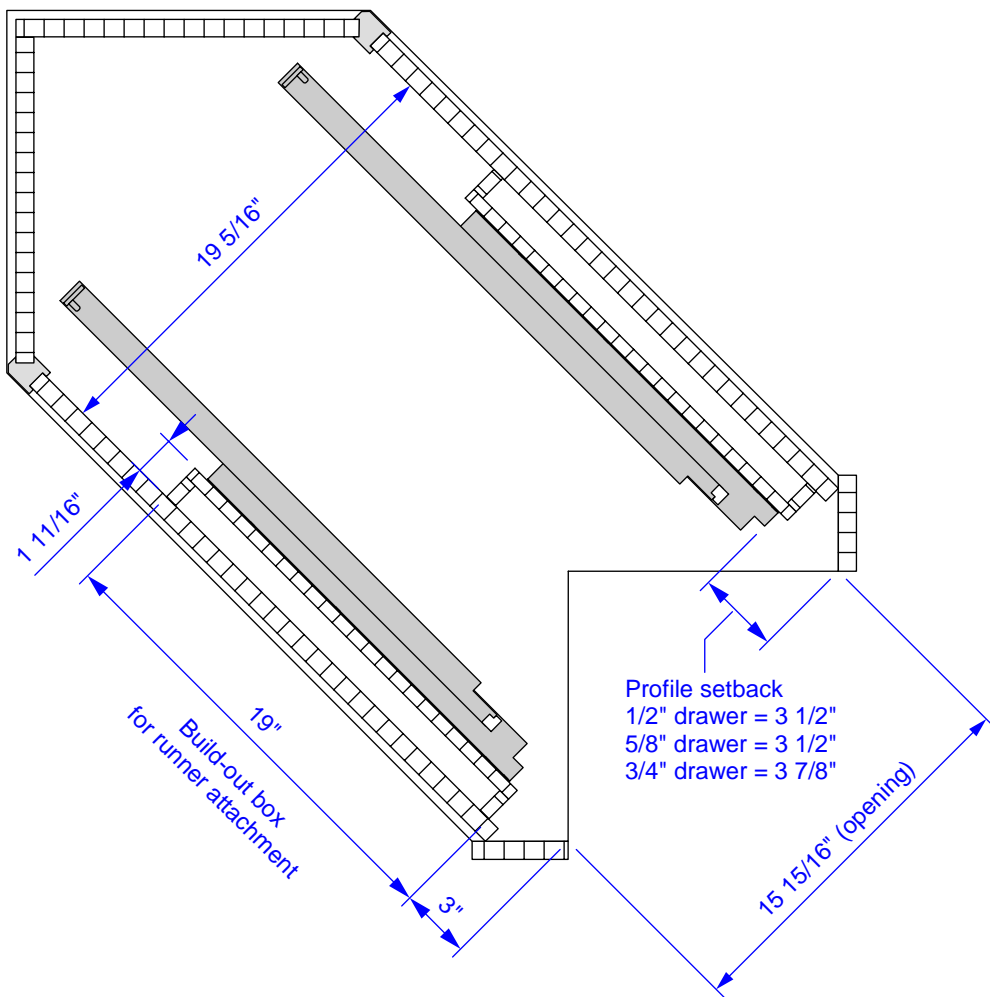


Transition strip

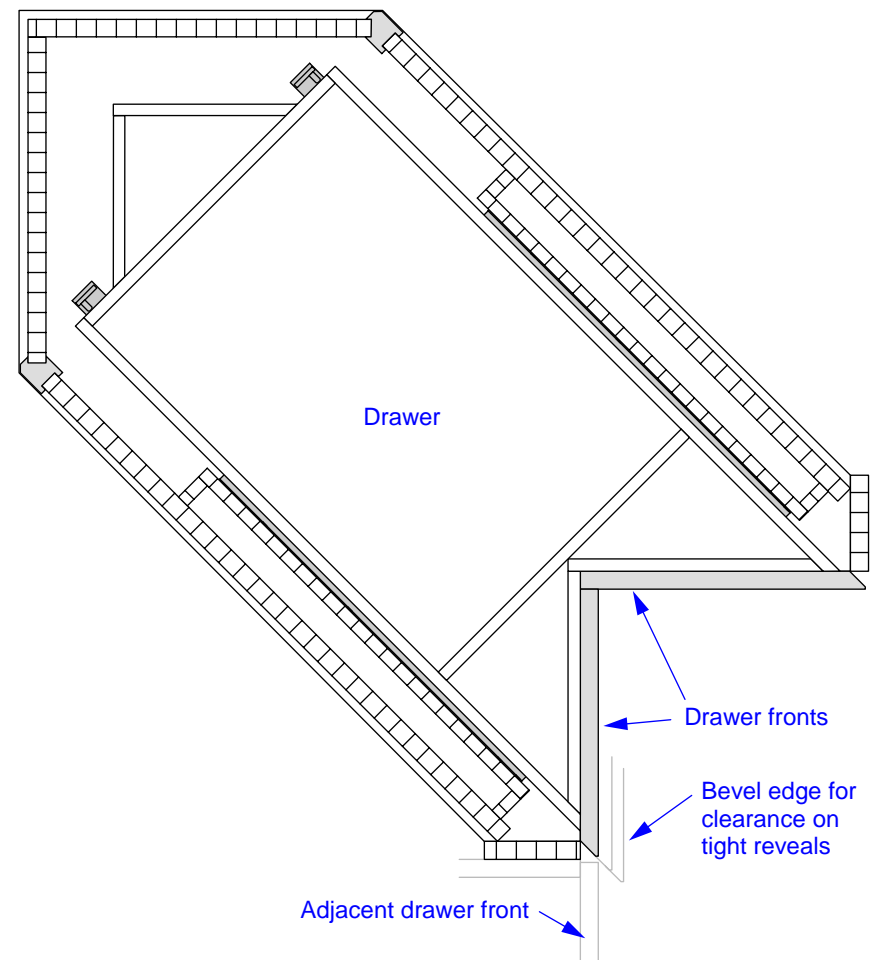
Product Group <b>TANDEM</b>		Project <b>36" panel SPACE CORNER</b>			Date	Index	Revision	
Description <b>Cabinet plan view</b>		Date <b>3/21/05</b>	Drawn By	Scale <b>1:8</b>	Drawing Set		Page No. <b>2</b>	Index <b>00</b>



Julius Blum, Inc  
Stanley, NC 28164



**Runner installation**



**Drawer installation**

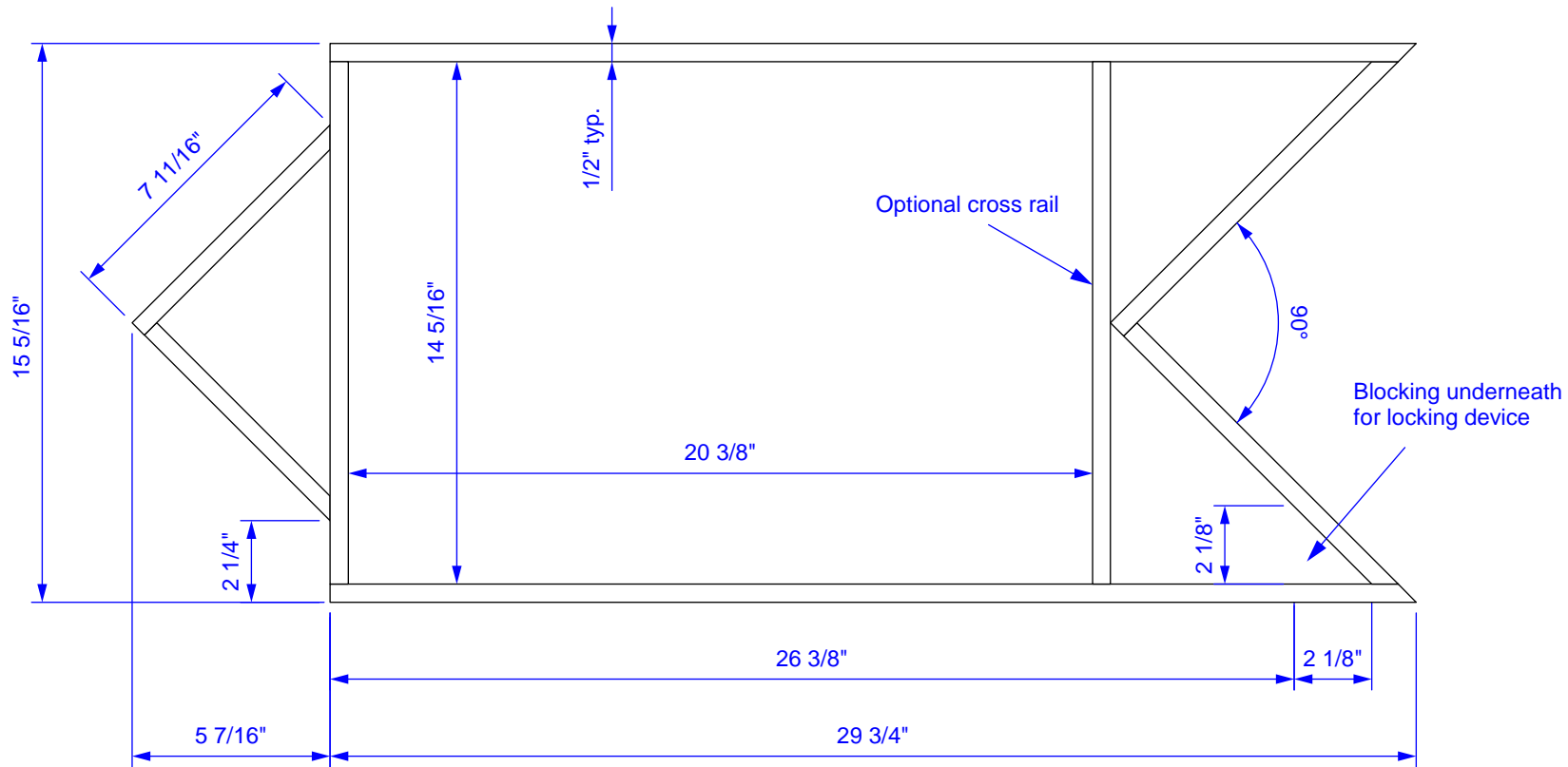
TANDEM 27" (686mm) heavy duty full-extension runners with integrated BLUMOTION

568.6860B for 1/2" & 5/8" drawer side thk.  
568A6860B for 3/4" drawer side thk.

Product Group <b>TANDEM</b>		Project <b>36" panel SPACE CORNER</b>			Date	Index	Revision	
Description <b>Cabinet plan with runners</b>		Date <b>3/21/05</b>	Drawn By	Scale <b>1:8</b>	Drawing Set		Page No. <b>3</b>	Index <b>00</b>



Julius Blum, Inc  
Stanley, NC 28164



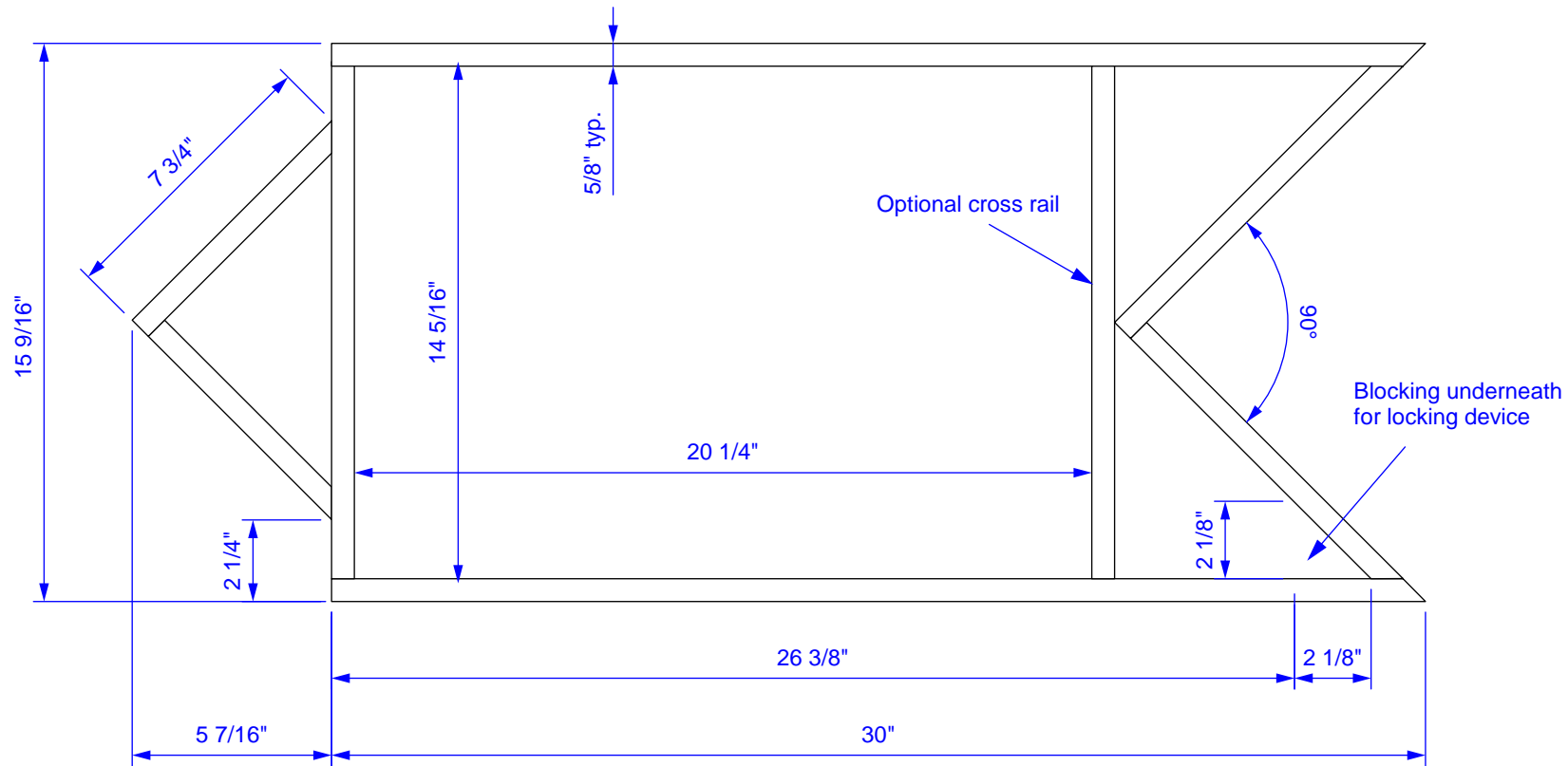
Plan View

For use with 568.6860B runner



Julius Blum, Inc  
Stanley, NC 28164

Product Group <b>TANDEM</b>		Project <b>36" panel SPACE CORNER</b>			Date	Index	Revision	
Description <b>1/2" drawer</b>		Date <b>3/21/05</b>	Drawn By	Scale <b>1:5</b>	Drawing Set		Page No. <b>4</b>	Index <b>00</b>



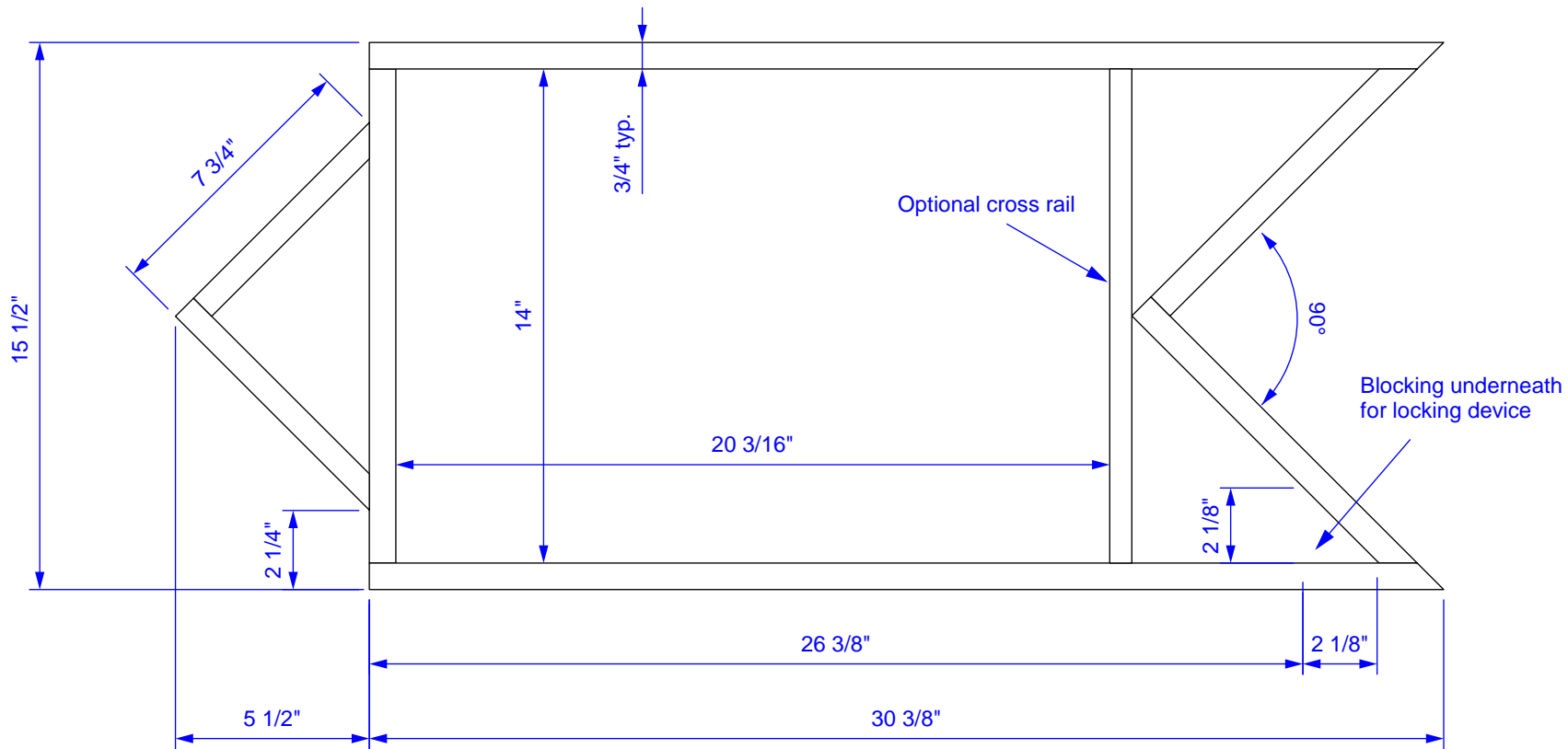
Plan View

For use with 568.6860B runner

Product Group <b>TANDEM</b>		Project <b>36" panel SPACE CORNER</b>			Date	Index	Revision	
Description <b>5/8" drawer</b>		Date <b>3/21/05</b>	Drawn By	Scale <b>1:5</b>	Drawing Set		Page No. <b>5</b>	Index <b>00</b>



Julius Blum, Inc  
Stanley, NC 28164



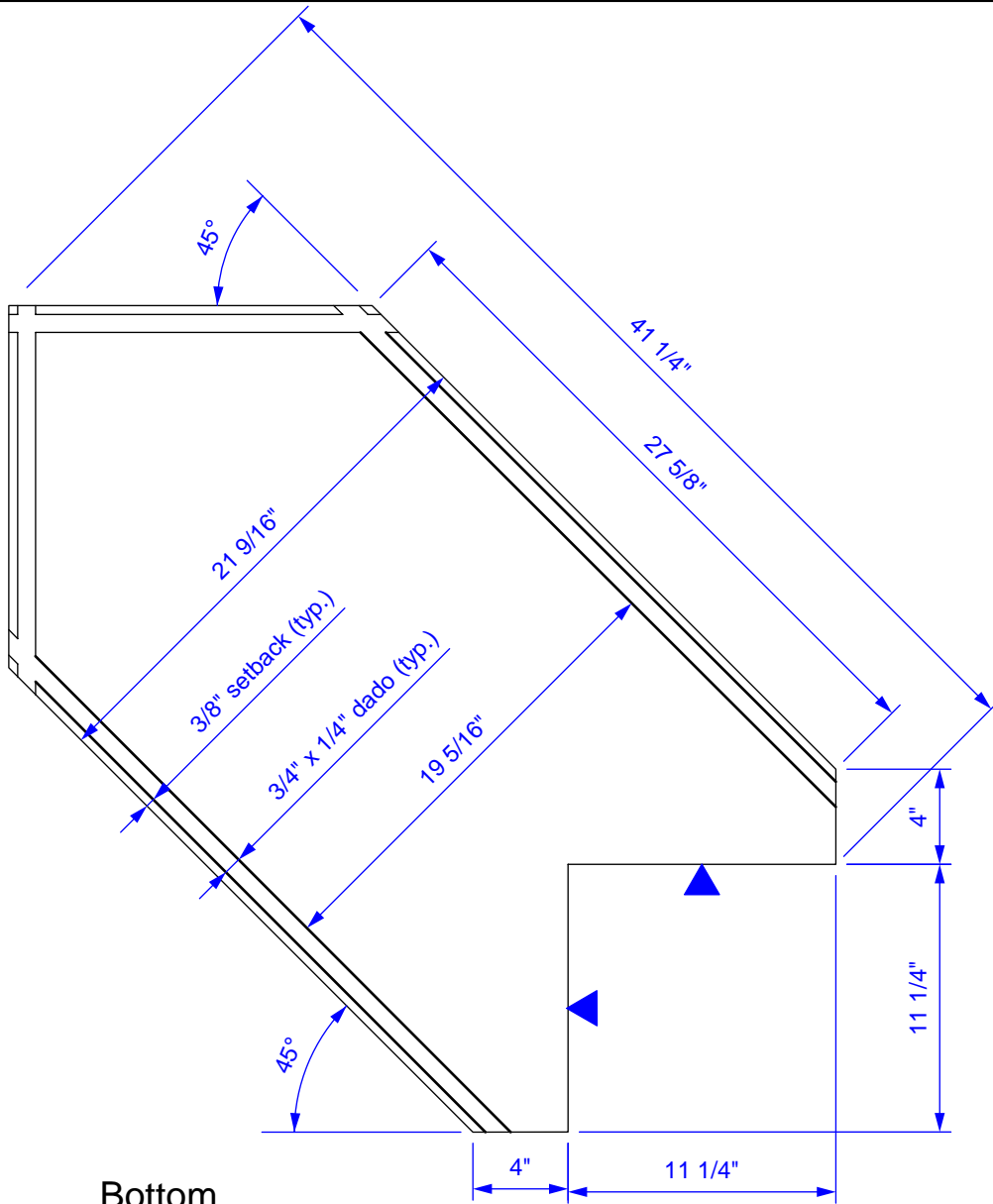
Plan View

For use with 568A6860B runner

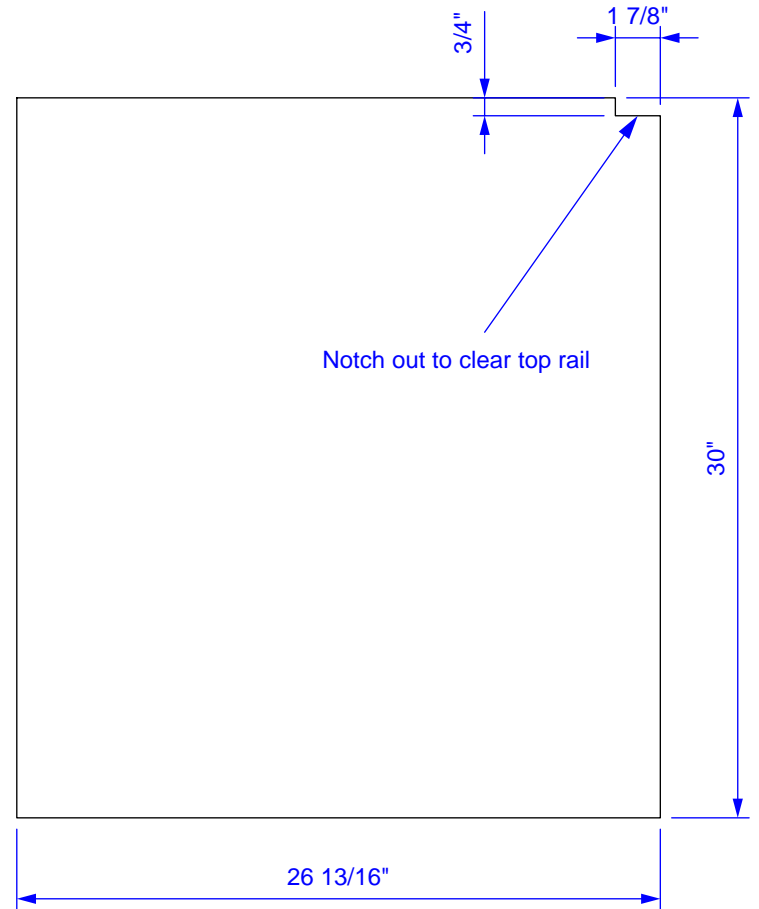
Product Group <b>TANDEM</b>		Project <b>36" panel SPACE CORNER</b>			Date	Index	Revision	
Description <b>3/4" drawer</b>		Date <b>3/21/05</b>	Drawn By	Scale <b>1:5</b>	Drawing Set		Page No. <b>6</b>	Index <b>00</b>



Julius Blum, Inc  
Stanley, NC 28164



**Bottom**  
3/4" thk.



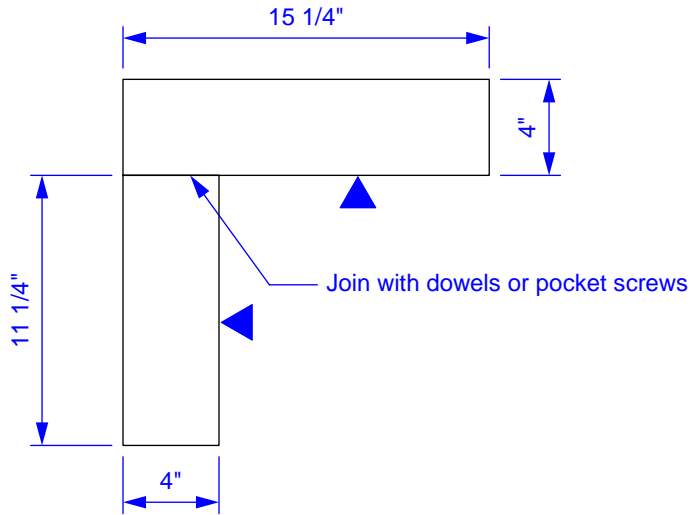
**Side (right shown)**  
3/4" thk., (2) req'd.

▲ = edgeband

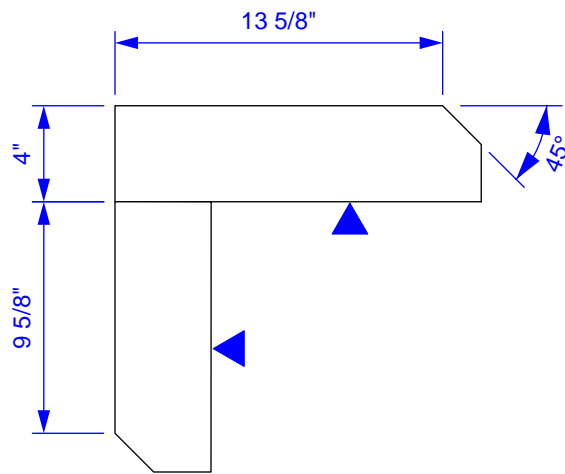


Julius Blum, Inc  
Stanley, NC 28164

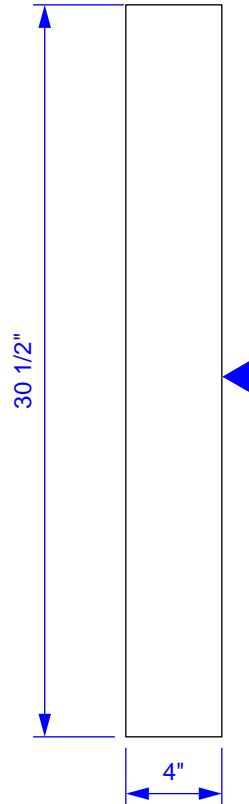
Product Group		Project			Date	Index	Revision	
TANDEM		36" panel SPACE CORNER						
Description		Date	Drawn By	Scale	Drawing Set		Page No.	Index
Bottom and side panels		10/25/04		1:8			7	00



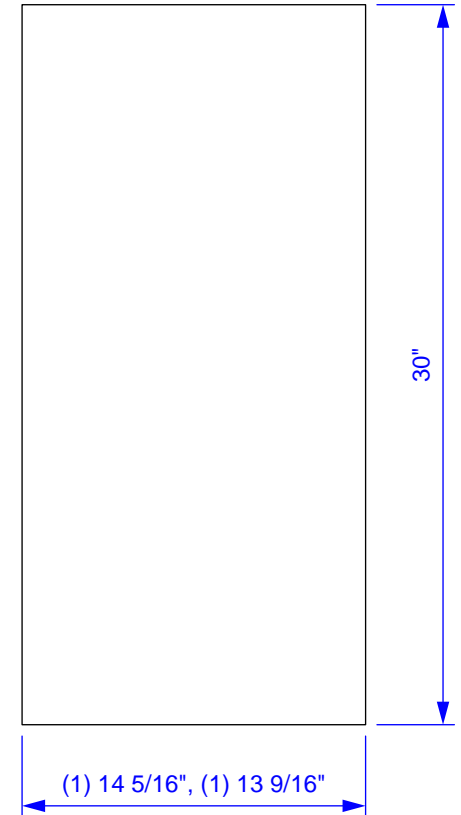
**Top cross rail assembly**  
3/4" thk., (1) req'd.



**Center cross rail assembly**  
3/4" thk., (2) req'd.



**Front side panel**  
3/4" thk., (2) req'd.



**Back panel**  
3/4" thk., (2) req'd.

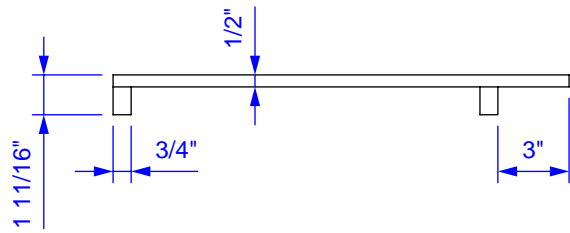
▲ = edgeband



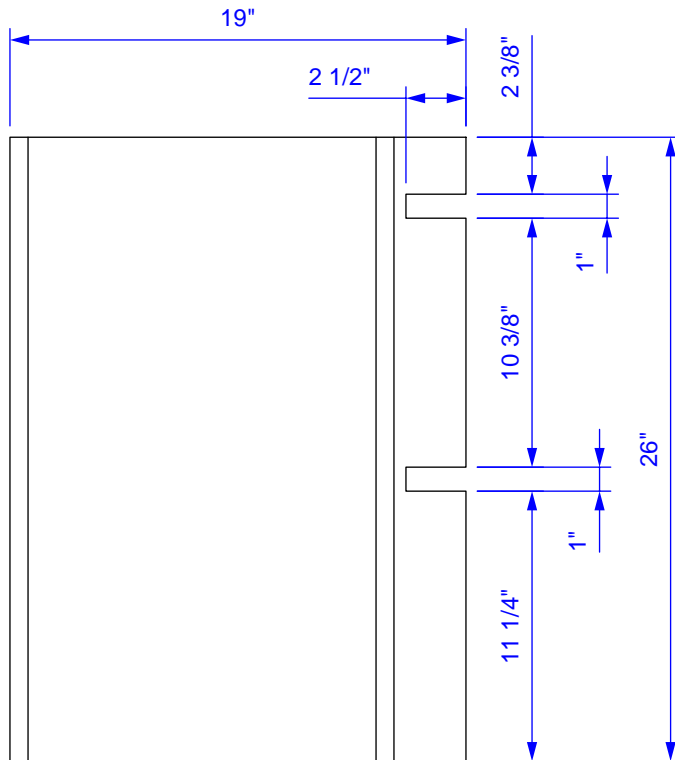
Julius Blum, Inc  
Stanley, NC 28164

Product Group	Project			Date	Index	Revision	
TANDEM	36" panel SPACE CORNER						
Description	Date	Drawn By	Scale	Drawing Set		Page No.	Index
Rails, stiles and back panel	3/21/05		1:8			8	00

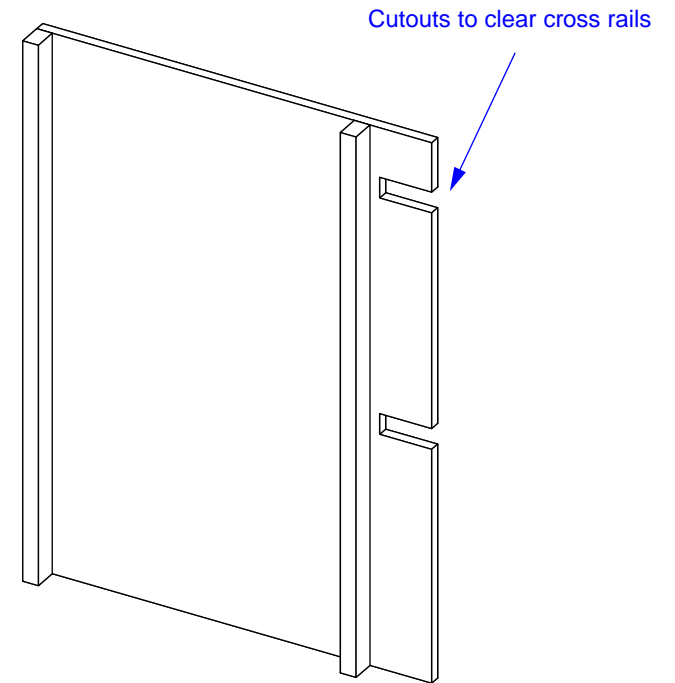




Plan view  
Left side shown



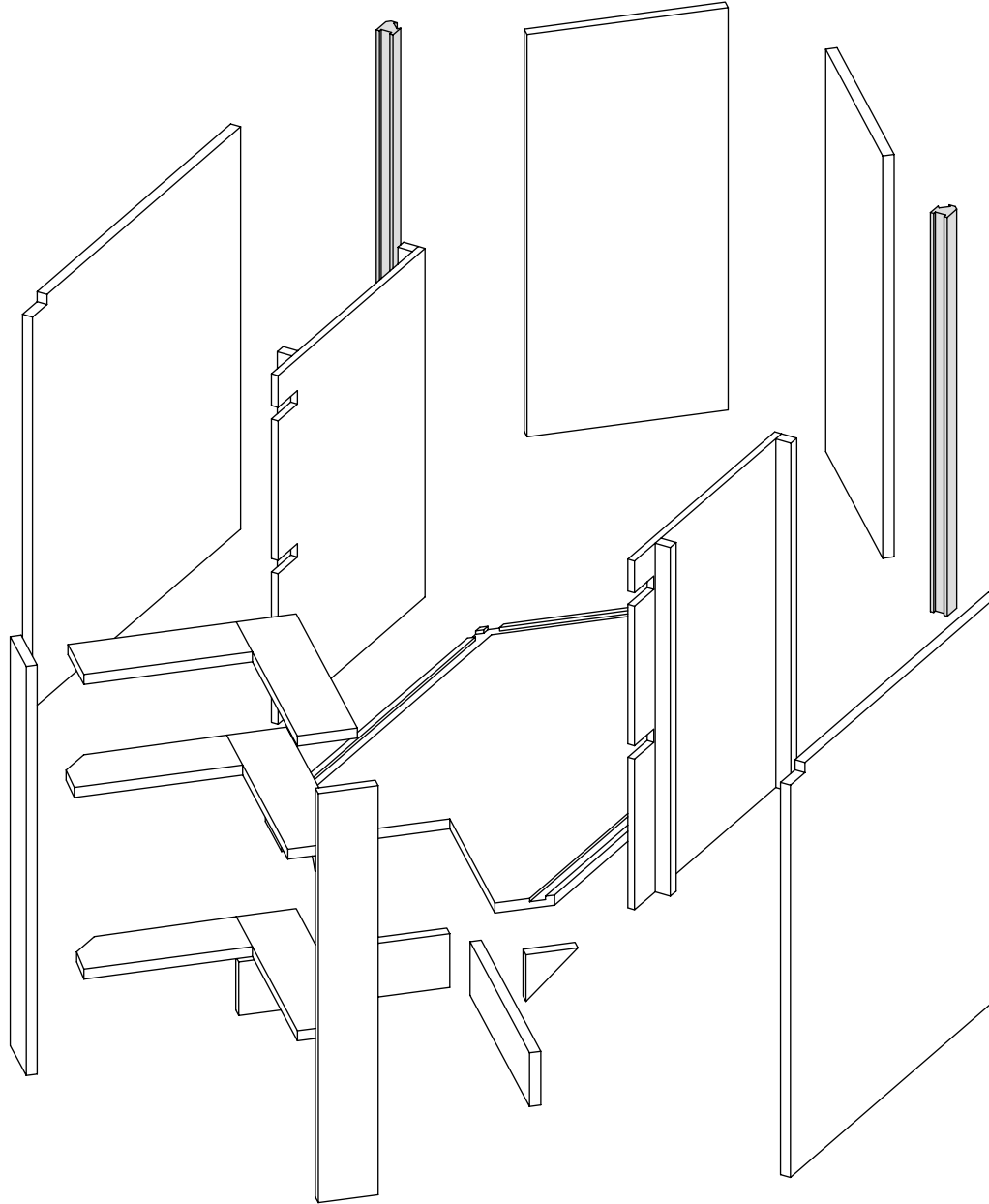
Side elevation



Product Group <b>TANDEM</b>		Project <b>36" panel SPACE CORNER</b>			Date	Index	Revision	
Description <b>Runner build-out panels</b>		Date <b>3/21/05</b>	Drawn By	Scale <b>1:8</b>	Drawing Set		Page No. <b>9</b>	Index <b>00</b>



Julius Blum, Inc  
Stanley, NC 28164



Product Group		Project			Date	Index	Revision	
TANDEM		36" panel SPACE CORNER						
Description		Date	Drawn By	Scale	Drawing Set		Page No.	Index
Exploded cabinet view		3/21/05		1:12			10	00



Julius Blum, Inc  
Stanley, NC 28164