

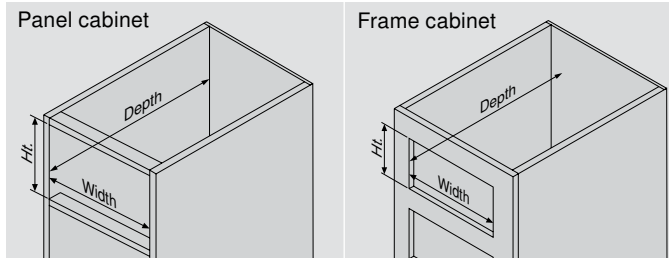
Using TANDEM concealed runners



Step 1

Measure cabinet opening

These measurements are needed to determine drawer box size.



Step 2

Select TANDEM runners

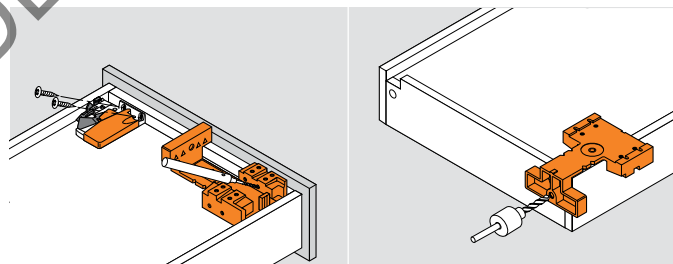
Based on the application, choose the TANDEM runner that fits the desired extension, drawer side thickness, load capacity and cabinet depth. Then go to the corresponding catalog page for more specific information.

Drawer length	Partial extension		Full extension		Full extension with BLUMOTION		Heavy duty full extension with BLUMOTION	
	Max. drawer thickness 5/8"	Max. drawer thickness 3/4"	Max. drawer thickness 5/8"	Max. drawer thickness 3/4"	Max. drawer thickness 5/8"	Max. drawer thickness 3/4"	Max. drawer thickness 5/8"	Max. drawer thickness 3/4"
9"								
12"	TANDEM 52H	TANDEM plus 552F	TANDEM plus 562H	TANDEM plus 562F	TANDEM plus BLUMOTION 562H	TANDEM plus BLUMOTION 562F		
15"	page 16	page 18	page 20	page 22	page 20	page 22		
18"							TANDEM plus BLUMOTION 568H and 568	TANDEM plus BLUMOTION 568F and 568A
21"							page 24	page 26
24"								
27"								
30"								
Capacity (symmetric)	75/100 lb	75/100 lb	75/100 lb	75/100 lb	75/100 lb	75/100 lb	110/125 lb	110/125 lb

Step 3

Preparing drawer boxes

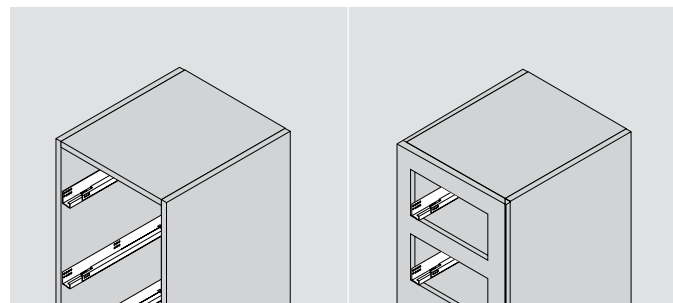
Build drawers according to the specifications given for the TANDEM runners you chose and the measurements determined in Step 1. Install appropriate locking devices and bore holes to accept rear hooks.



Step 4

Attach runners to cabinet

Using the mounting information given for the TANDEM runners you chose, mount the TANDEM runners in the cabinet.



Step 5

Insert drawers

Place the drawer on the runners and close. The locking devices automatically engage with the runners. Make height and tilt adjustments if necessary.

