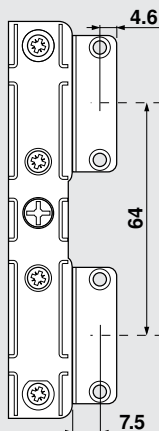


AVENTOS HK

Narrow aluminum hardware set

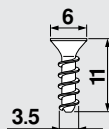
Package contents



2 x 20S4200A Narrow alum. mounting plate



POZI #2x2 driver bit for adjusting tension



699.110 aluminum door screws for mounting plates

■ Only 8 screws required for installation

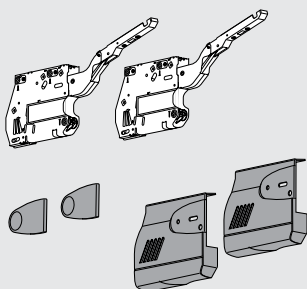
Hardware set

Part no.

20S4200AK1

Also required (sold separately)

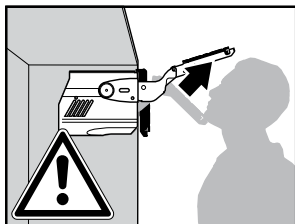
Lift mechanism set



Set includes:

- 2 x lift mechanisms
- 2 x cover plates (right and left)
- 2 x cover caps
- 10 x #7x35mm (1-3/8") wood screws

Assembly

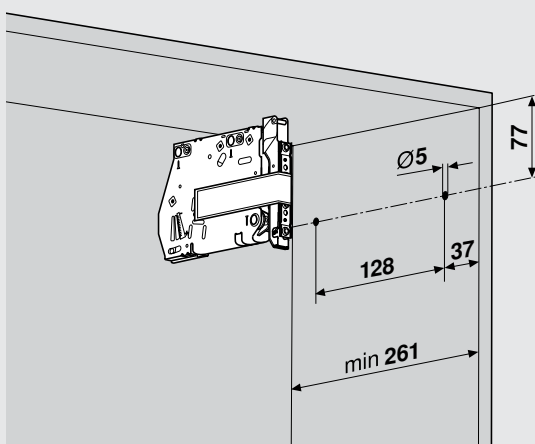


WARNING

Risk of injury from spring-loaded arm

- Do not push arm assembly down or leave in the down position
- Remove mechanism before installing or removing cabinet

1 Locating pin locations and minimum depth



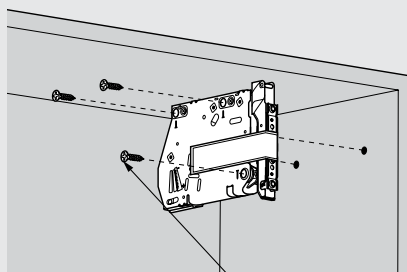
Part no.

AVENTOS boring template is available for preboring 5mm locating pins

65.5020

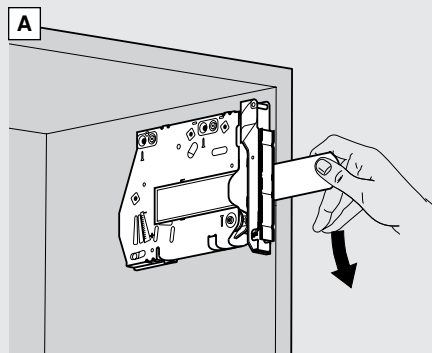
2 Attaching the lift mechanism

- Use the AVENTOS template to prebore the locating pin holes for the AVENTOS HK lift mechanism.
- After aligning the lift mechanism with the cabinet using the locator pins, attach the mechanism with the three mounting screws provided.

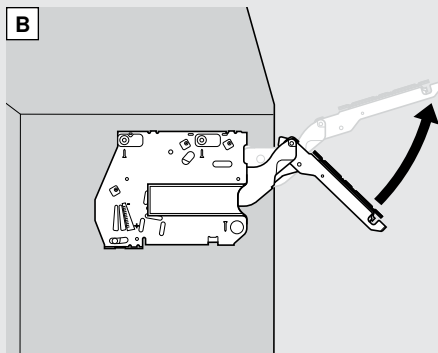


(3) wood screws **#7x35 mm**

3 Remove warning label from lift mechanism and raise arms



Standing at arm's length, carefully remove label holding arm in place.



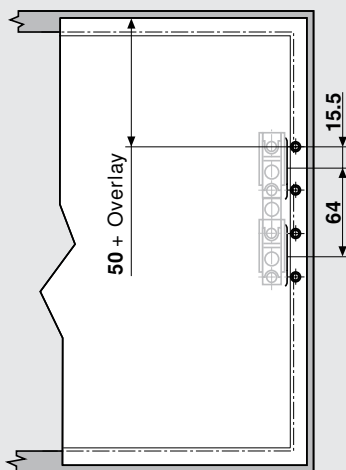
Raise the arm to the upright position.



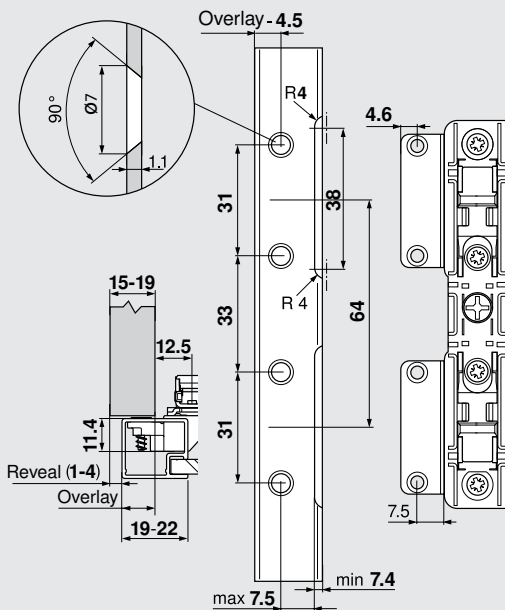
Risk of injury from spring loaded arm.

NOTE: Do not remove warning label until just before attaching the door

4 Attaching the mounting plates



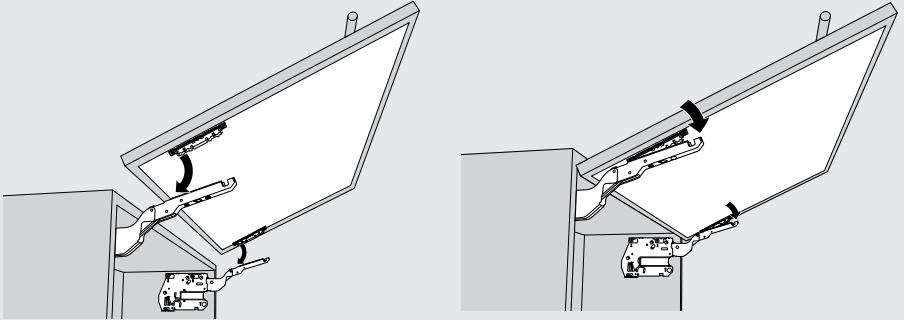
Attach the mounting plate to the door.



When changing material thickness, adjust the assembly dimensions accordingly.

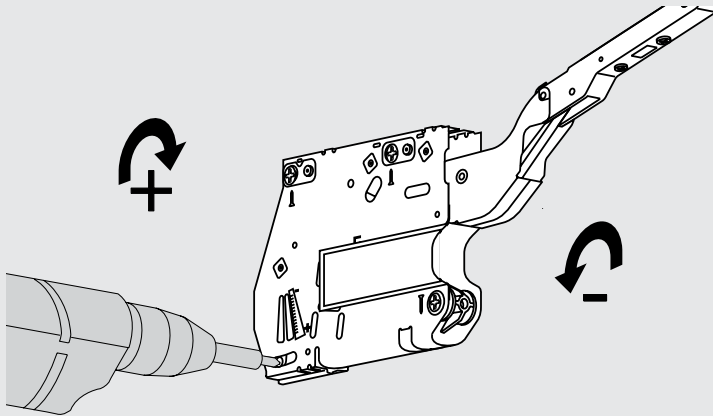
Assembly

5 Attaching the door



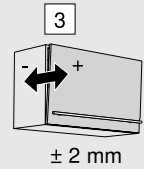
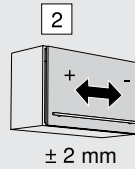
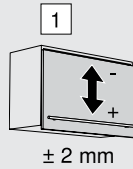
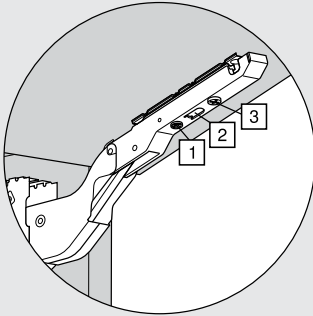
Attach the door using the CLIP mechanism in the mounting plate.

6 Adjust the door tension



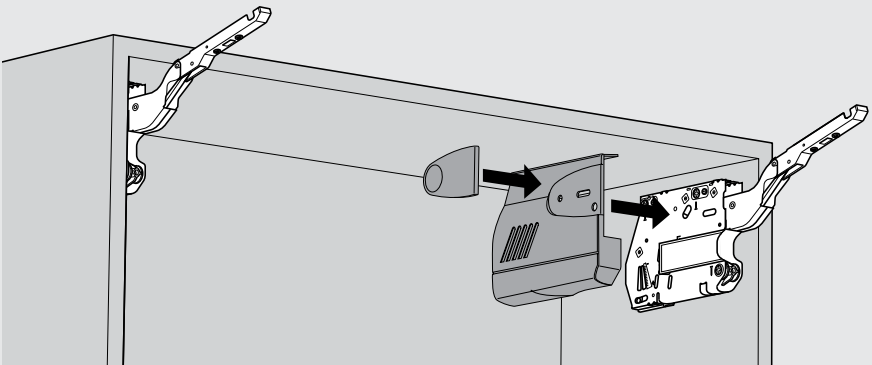
Use a screw gun and the supplied #2x2 POZI driver bit to adjust the lift mechanism to the desired tension.

7 Finalize the door adjustments



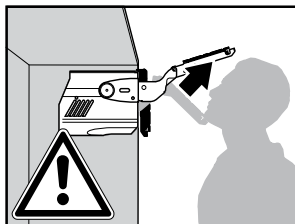
Use a POZI screwdriver to adjust cam adjustments for each of the 3-dimensional adjustments.

8 Attach cover caps



Snap the symmetrical cover caps on each cover plate. Place the left and right cover plates over the appropriate lift mechanisms and snap them in place.

Removal

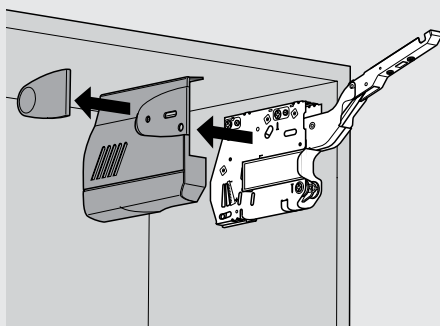


WARNING

Risk of injury from spring-loaded arm

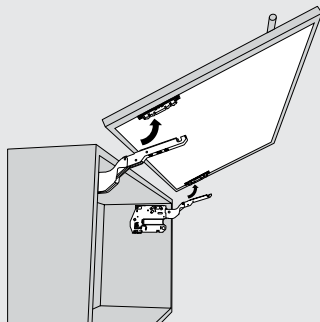
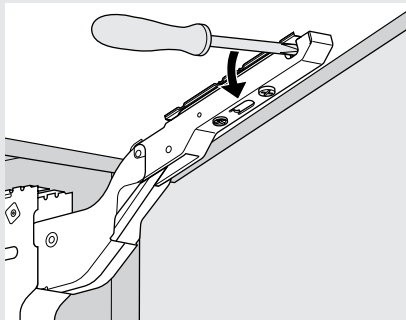
- Do not push arm assembly down or leave in the down position
- Remove mechanism before installing or removing cabinet

1 Removing the covers



Remove the cover caps and cover plate.

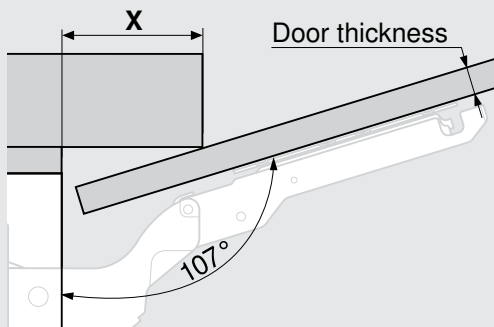
2 Removing the door



- Open the door. Use a screwdriver to disengage the CLIP mechanism of the lever arm from the mounting plate.
- Support the door with one hand and repeat on the other side.

Other information

Panel door clearance



Door thickness	16	19	22	26
X	70	59	49	35

Inch		mm
1/32	.031	1
1/16	.063	1.5
3/32	.094	2
1/8	.125	3
5/32	.156	4
3/16	.188	5
7/32	.219	5.5
1/4	.25	6
9/32	.281	7
5/16	.313	8
11/32	.344	9
3/8	.375	9.5
13/32	.406	10
7/16	.438	11
15/32	.469	12
1/2	.5	13
17/32	.531	13.5
9/16	.563	14
19/32	.594	15
5/8	.625	16
21/32	.656	17
11/16	.688	17.5
23/32	.719	18
3/4	.75	19
25/32	.781	20
13/16	.813	20.5
27/32	.844	21
7/8	.875	22
29/32	.906	23
15/16	.938	24
31/32	.969	24.5
1	1	25.4

Blum, Inc.
7733 Old Plank Rd.
Stanley, NC 28164
800-438-6788
704-827-1345
fax 704-827-0799
sales.us@blum.com
www.blum.com