

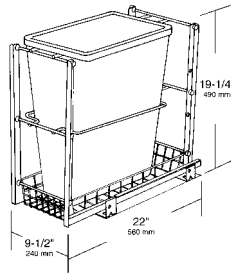
568 SERIES

PULL-OUT WASTE CONTAINERS

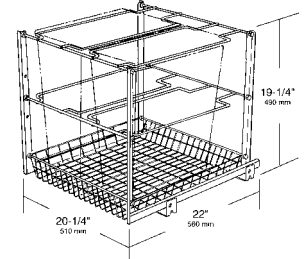
Another option for waste management, the 568 Series is available in a single 30 Qt. or double 30 Qt. variety and features a full height door mountable frame, full-extension ball bearing slides and is packaged fully assembled. Both units include a bonus storage space for garbage bags.



568-09-30 S



568-20-30 S



WASTE
CONTAINERS



PRODUCT #s	DESCRIPTION	PRODUCT DIMENSIONS	FINISH	SET PER CARTON	WEIGHT PER CARTON	SUGGESTED LIST PRICE	
						Pull-Out Waste Containers	Individual Pack
568-09-30 S	Single 30 Qt. Container	9½" (240 mm)W x 22" (559 mm)D x 19¼" (490 mm)H	Polymer	1	13 lbs	\$191.40	
568-20-30 S	Double 30 Qt. Containers	20¼" (510 mm)W x 22" (559 mm)D x 19¼" (490 mm)H	Polymer	1	15 lbs.	\$261.15	

CONTAINS:
 (1 or 2) 30 Qt. container(s)), depending on unit number ordered, (1) full-size bottom mount basket with 22" (559 mm) full-extension slides and 19" (483 mm) door mount brackets, 100# Weight Rating. COMES FULLY ASSEMBLED!

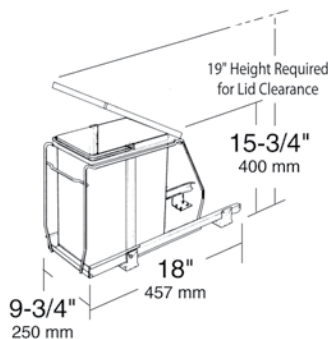
569 SERIES

PULL-OUT WASTE CONTAINERS WITH LID

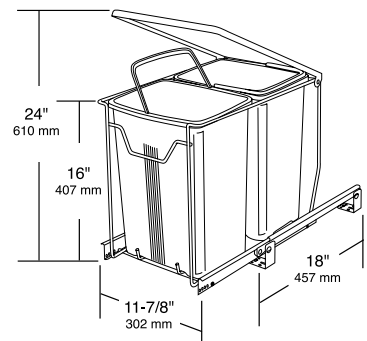
Built for the sink base or vanity cabinet, the 569 Series is available in a single 20 Qt. or double 15 Qt. variety with lids that raise as the containers are pulled out of the cabinet. This covered container selection feature built in handles for easy removal and is packaged fully assembled for easy installation. Door mounting is not recommended for this product.



569-10



569-12-2



PRODUCT #s	DESCRIPTION	PRODUCT DIMENSIONS	FINISH	SET PER CARTON	WEIGHT PER CARTON	SUGGESTED LIST PRICE	
						Pull-Out Waste Containers with Lids	Individual Pack
569-10	Single Waste Bin w/Lid	9¾" (250 mm)W x 18" (475 mm)D x 15¾" (400 mm)H	Polymer	1	8 lbs.	\$127.00	
569-12-2	Double Waste Bin w/Lid	11⅞" (302 mm)W x 18" (475 mm)D x 16" (407 mm)H	Polymer	1	10 lbs.	\$215.60	

CONTAINS:
569-10 (1) 20 Qt. portable container with handle. Drop cord included for automatic opening feature, 18" (457 mm) 75# Weight Rated - ¾ extension slides, lid, and framework – fully assembled.
569-12-2 (2) 15 Qt. portable containers with handle. Drop cord included for automatic opening feature, 18" (457 mm) 75# Weight Rated - ¾ extension slides, lid, and framework – fully assembled.